

# AVARRO™

## MEDIUM FULL MOTION MOUNT

NX-FMM3763



TILT, PAN, SWIVEL AND PULL YOUR TV AWAY FROM THE WALL WITH THE NX-FMM3763. IT FITS MOST 37"-63" UP TO 70LBS, IS EASY TO INSTALL AND HAS MANY GREAT FEATURES LIKE CABLE MANAGEMENT AND POST-INSTALLATION LEVELING.

### SPECIFICATIONS:

- Fits 37" - 63" TVs up to 70lbs
- VESA 100 x 100 to 400 x 400 (W x H) (mm)
- Arm design provides ample throw and nests on wall
- Tilt, pan, and swivel for maximum viewing flexibility
- Extends 20.6" from wall when in use and retracts to 2.0" when not in use
- Includes complete hardware kit
- Warranty: 5 years
- For commercial and residential applications

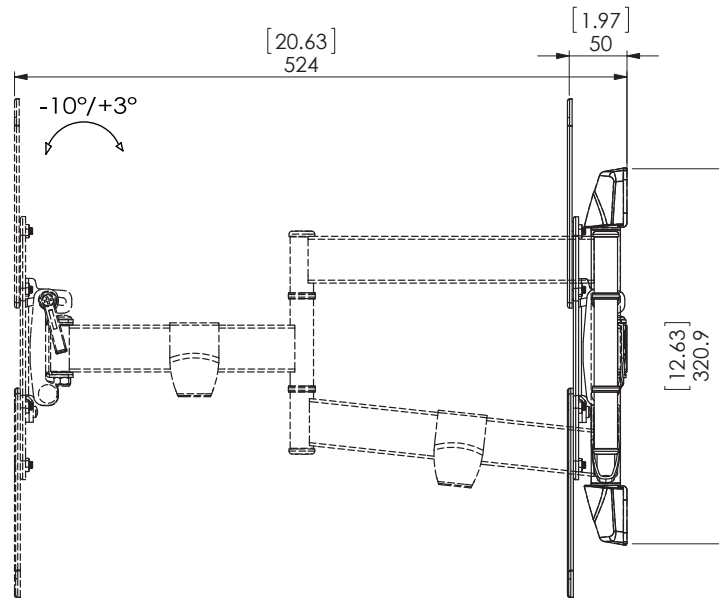
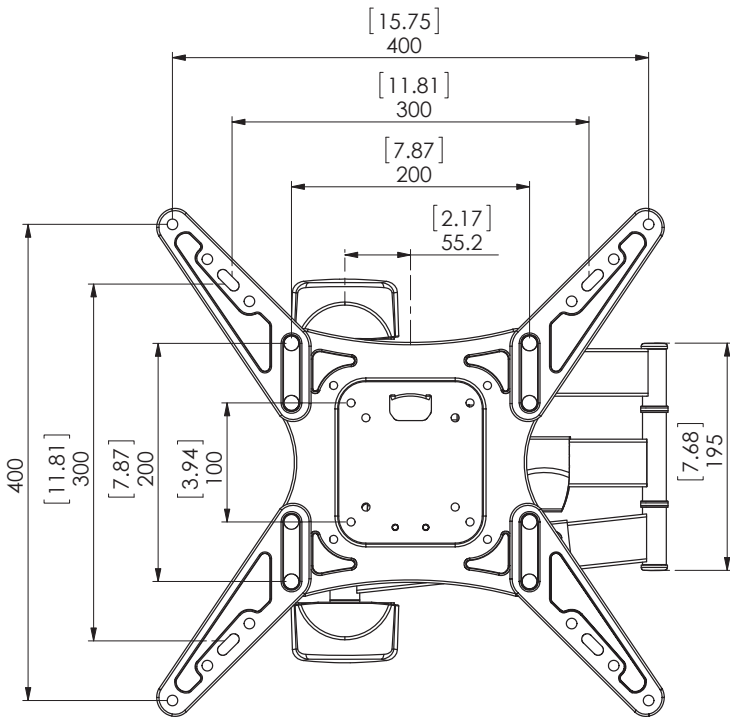
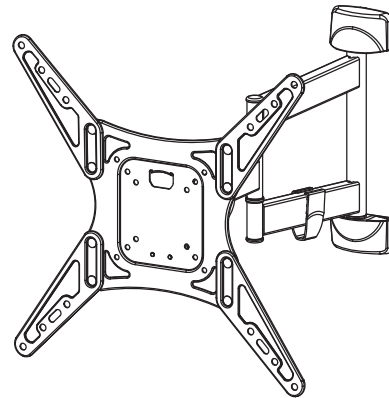
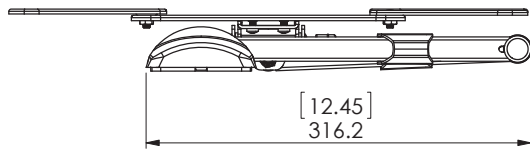
### BOX DIMENSIONS:

**PART#:** NX-FMM3763  
**UPC:** 840049303157  
**LENGTH:** 14.6"  
**WIDTH:** 14.7"  
**HEIGHT:** 2.8"  
**WEIGHT:** 8.9 LBS

For more information please call 1-833-574-9124  
or email [AVARRO@adiglobal.com](mailto:AVARRO@adiglobal.com)

To learn more about AVARRO products visit  
[avarro.adiglobaldistribution.us](http://avarro.adiglobaldistribution.us)





For more information please call 1-833-574-9124  
or email [AVARRO@adiglobal.com](mailto:AVARRO@adiglobal.com)

To learn more about AVARRO products visit  
[avarro.adiglobaldistribution.us](http://avarro.adiglobaldistribution.us)